

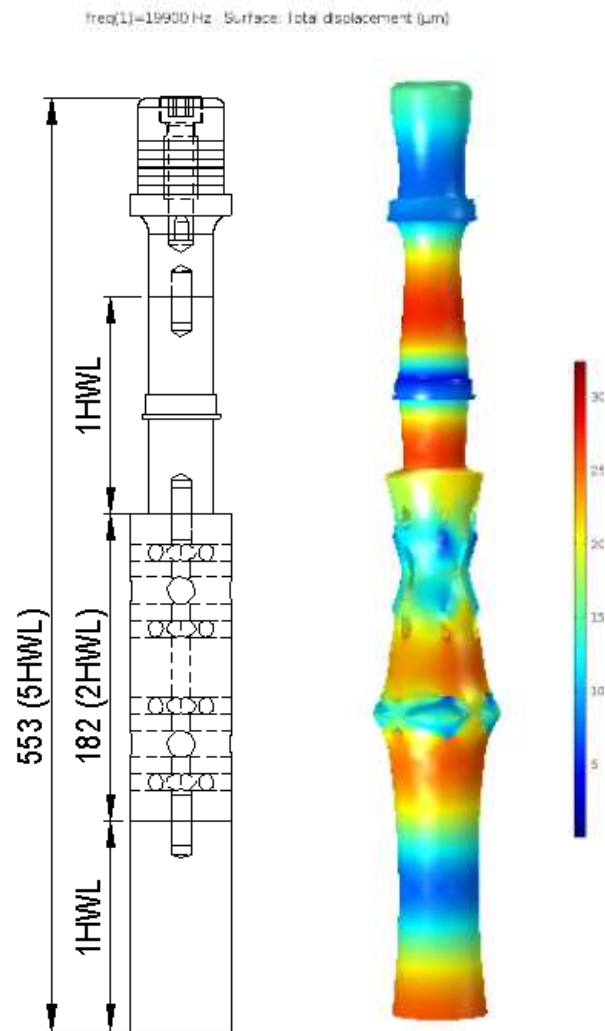


# Sonorods for extractions...

.... Comsol results....

Version 1.0

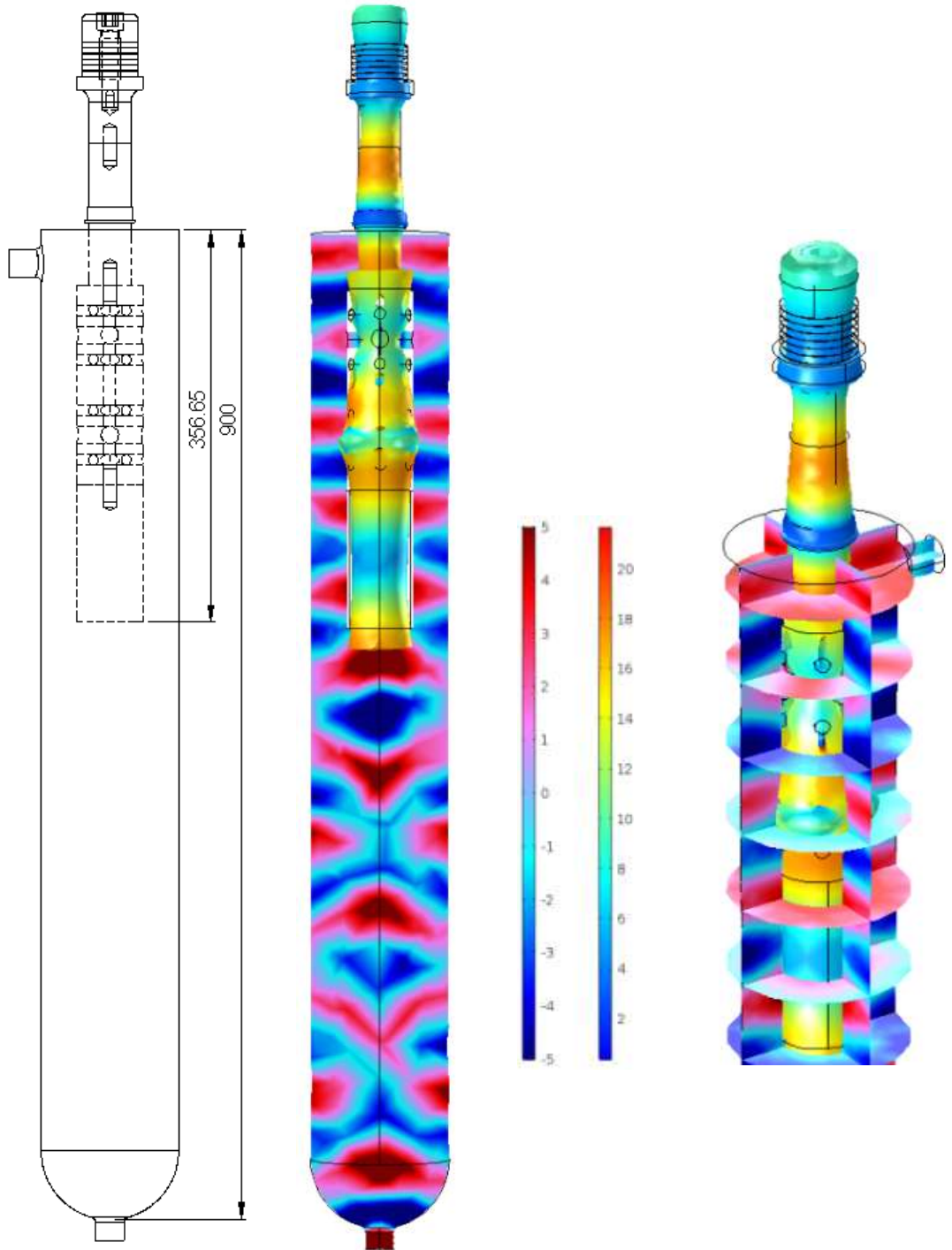
December 25/2017



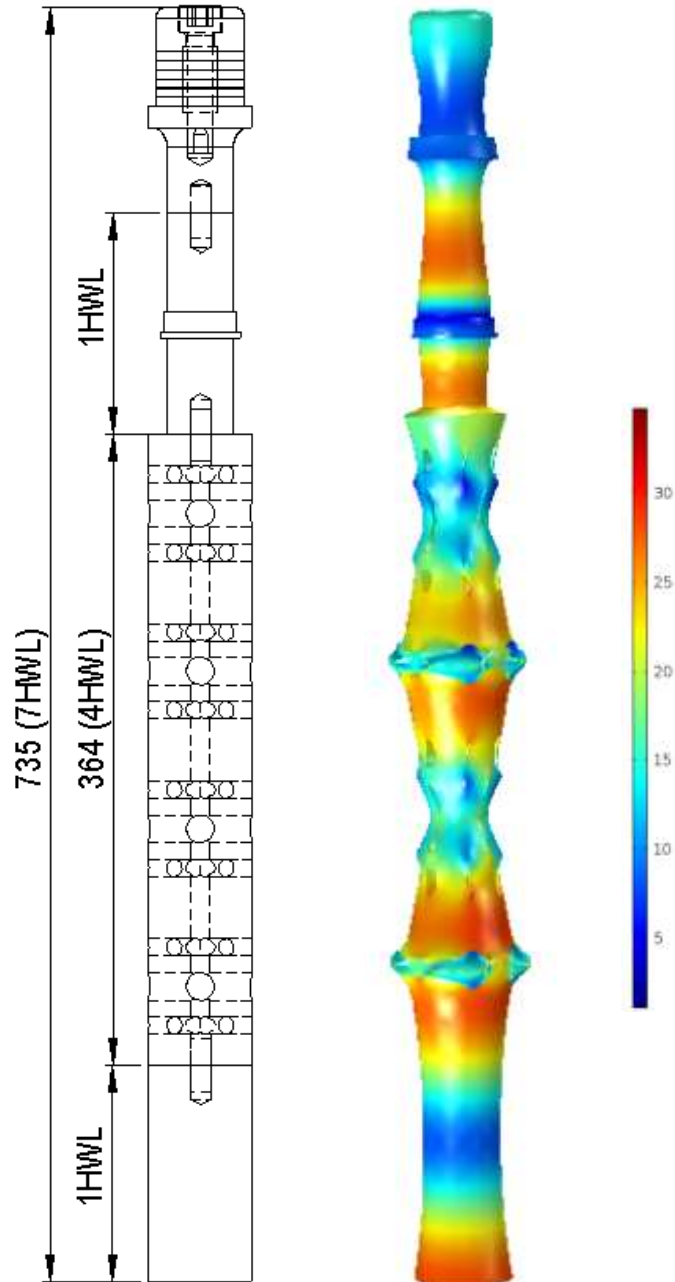
Acoustic Module

OPTION 1 - Water

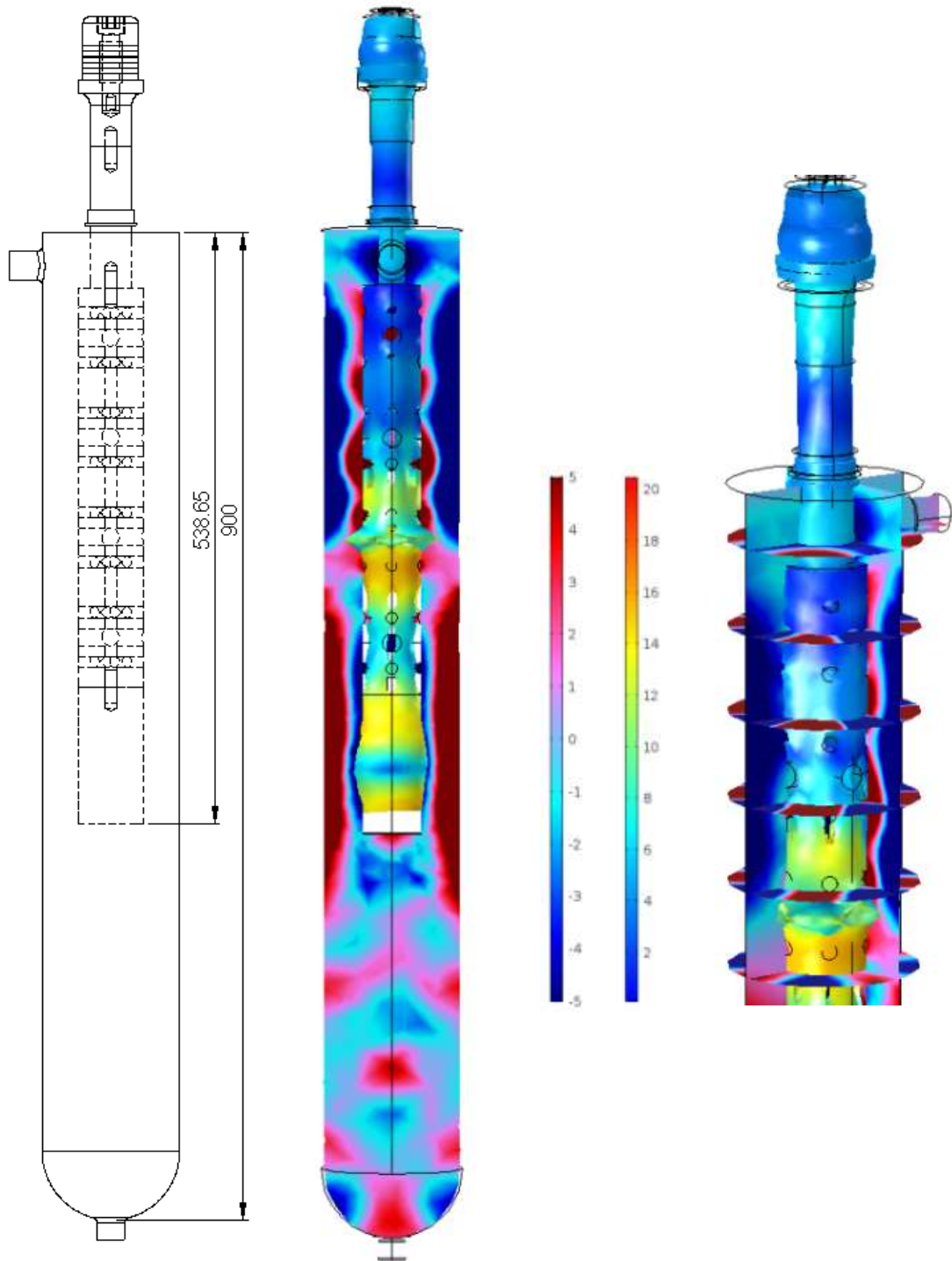
freq(1)=19650 Hz Surface: Total displacement ( $\mu\text{m}$ ) Slice: Total acoustic pressure field (MPa)

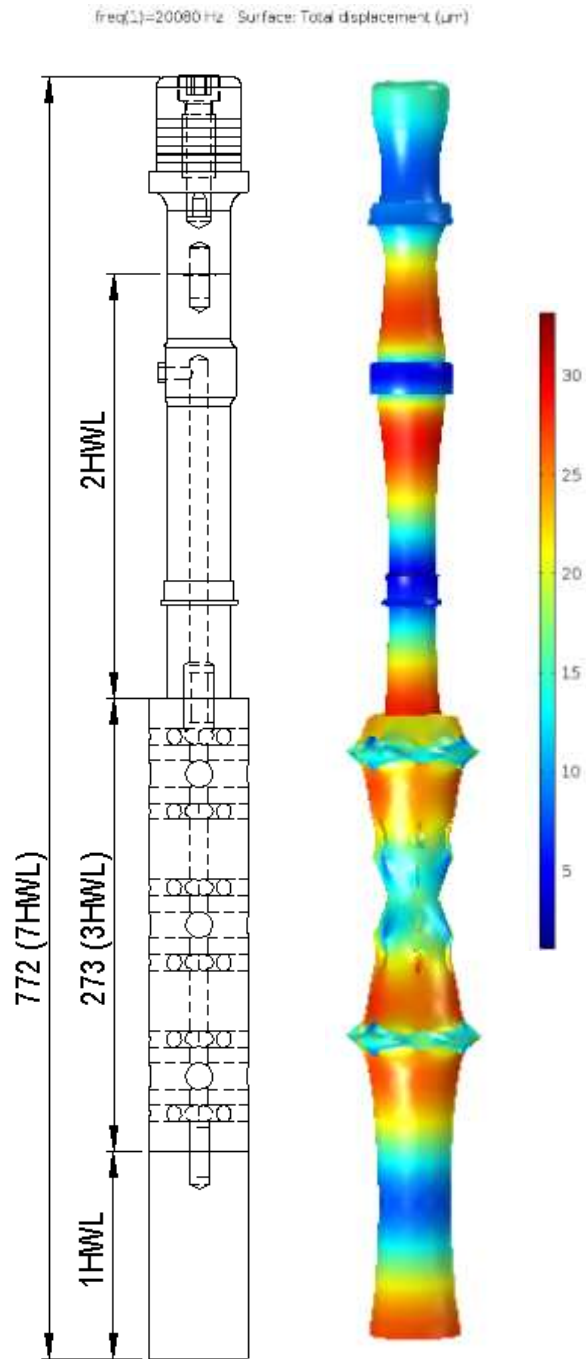


freq(1)=20050 Hz Surface: Total displacement (µm)



Freq(1)=19865 Hz Surface: Total displacement (µm) Slice: Total acoustic pressure field (MPa)



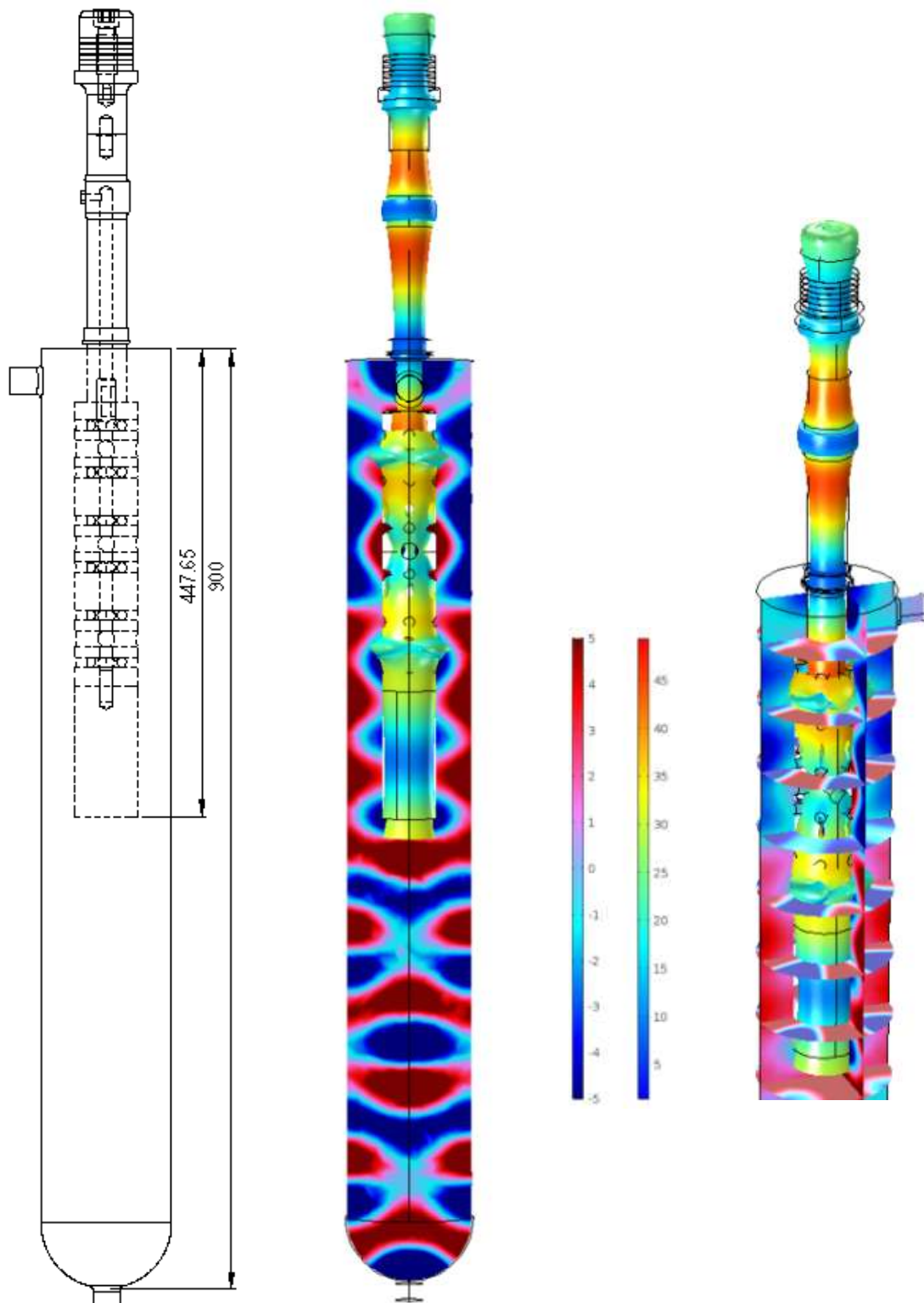


Acoustic Module

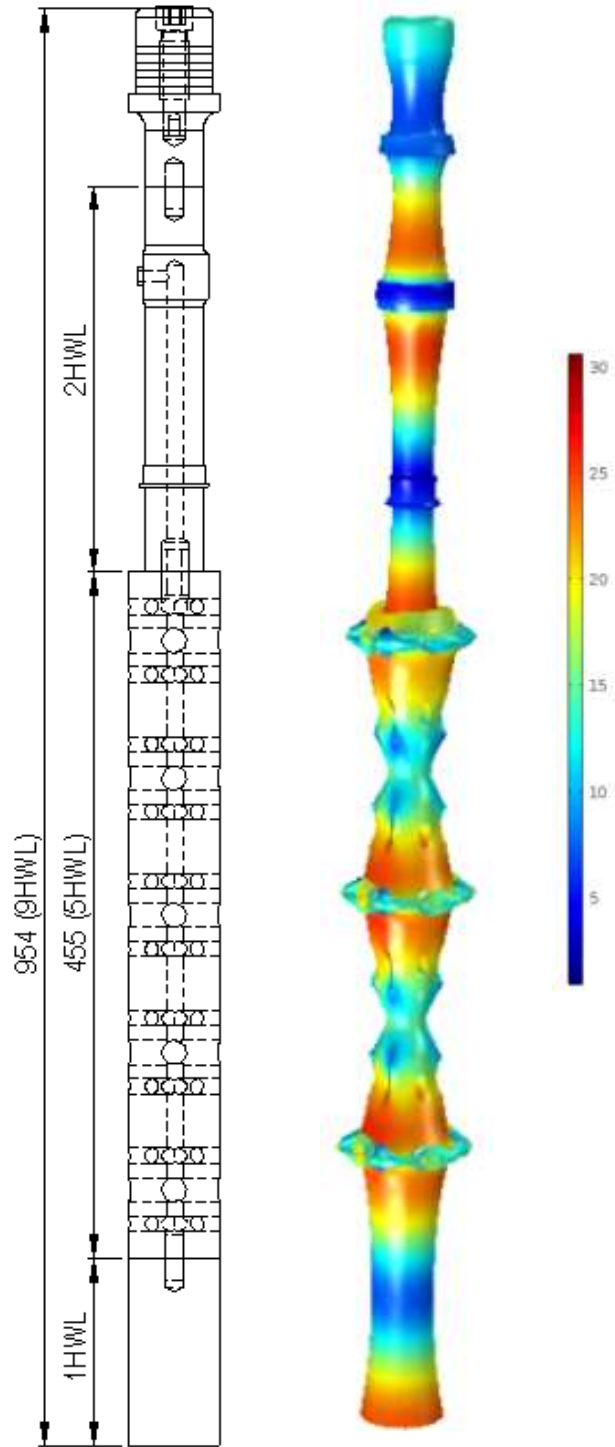
OPTION 3 – Water

(Booster 2HWL)

freq(1)=19880 Hz Surface: Total displacement (µm) Slice: Total acoustic pressure field (MPa)



freq(1)=20170 Hz Surface: Total displacement ( $\mu\text{m}$ )



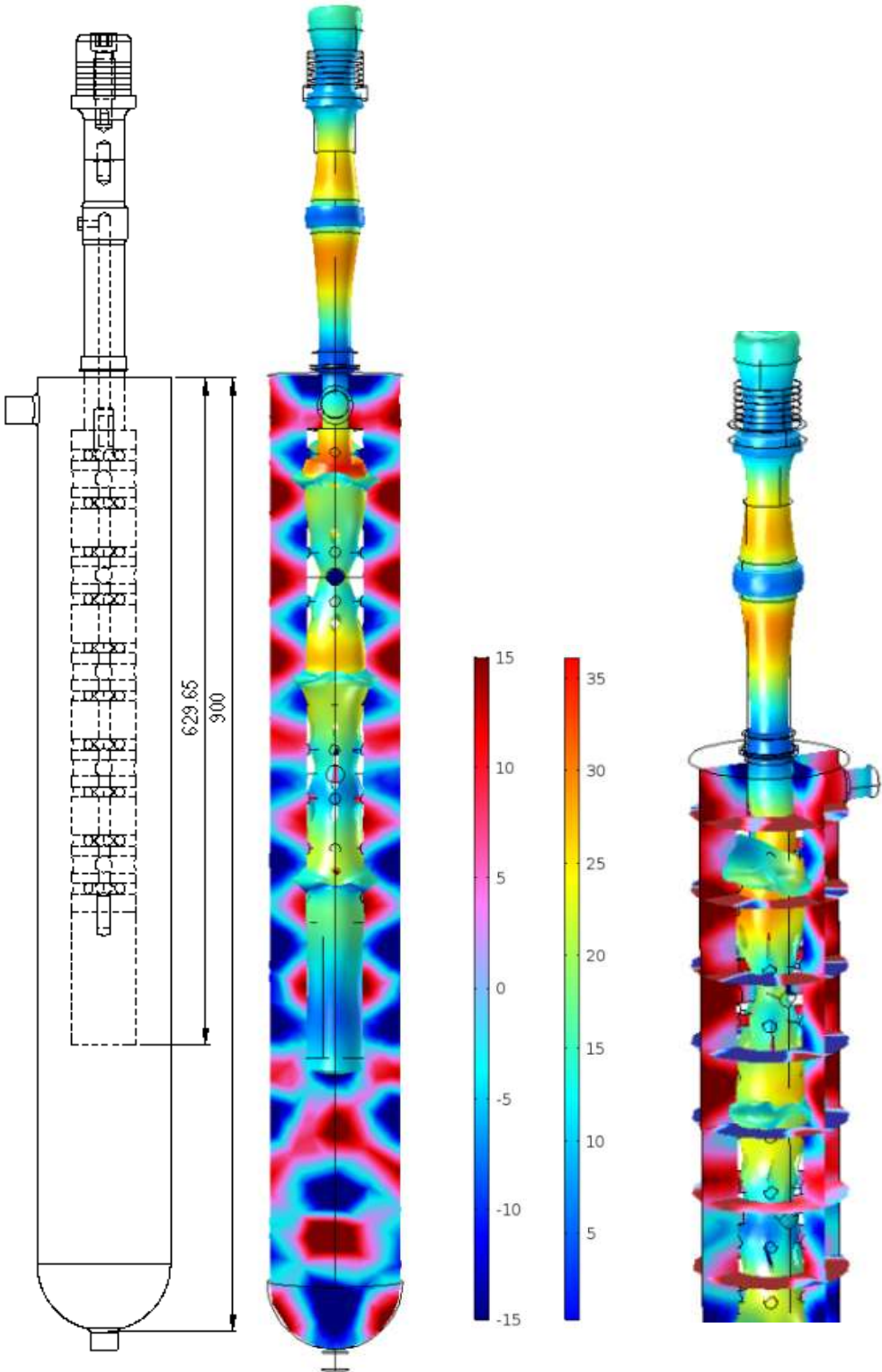


Acoustic Module

OPTION 4 – Water

(Booster 2HWL)

freq(1)=19851 Hz Surface: Total displacement (μm) Slice: Total acoustic pressure field (MPa)



Acoustic Module

OPTION 6 – Water

1HWL Spherical

Comparable with

Option 2\_Water

freq(1)=19820 Hz Surface: Total displacement ( $\mu\text{m}$ ) Slice: Total acoustic pressure field (MPa)

